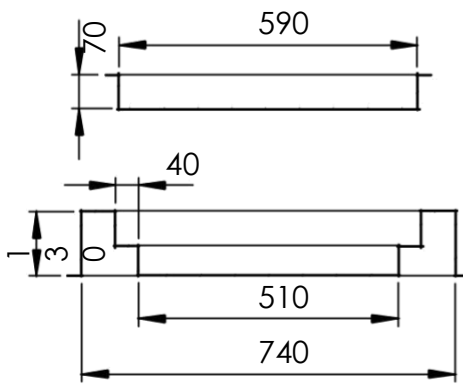
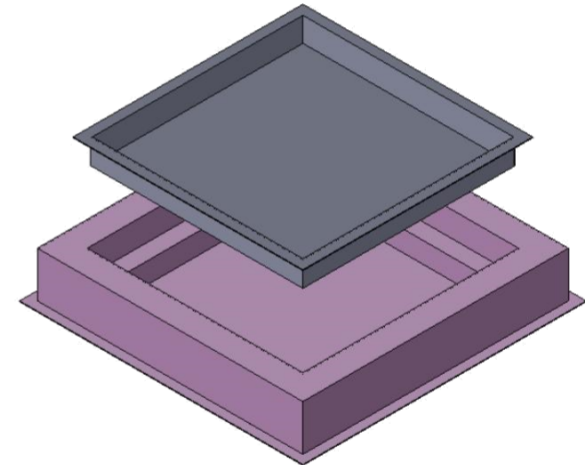


SECTION B-B
SCALE 1 : 15



SECTION A-A
SCALE 1 : 15



DESCRIPTION:
Man Hole Cover 510 X 510

DWG NO: DRSTI-PC-26	MATERIAL: Concrete	PRODUCT CODE: MH003
------------------------	-----------------------	------------------------

DRSTI PRECAST PRIVATE LTD A4