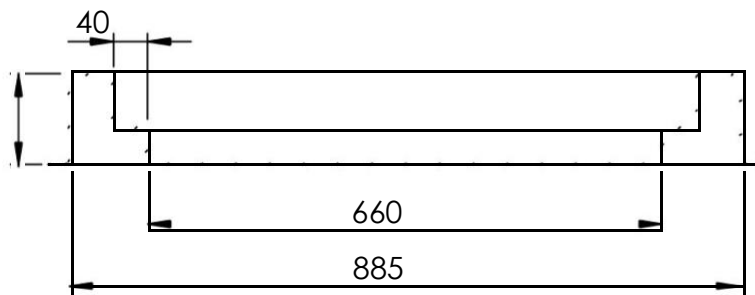
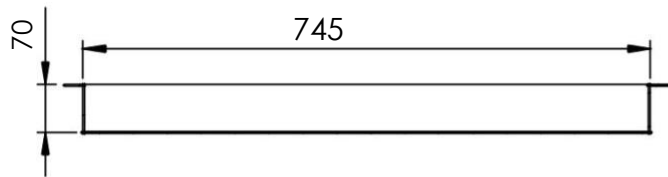
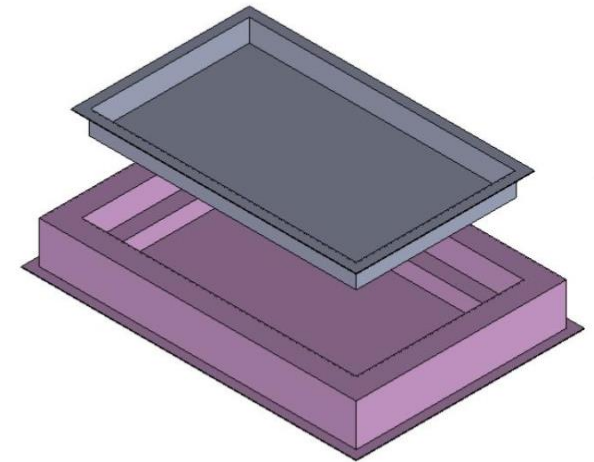


SECTION A-A



SECTION B-B

DESCRIPTION:		
Man Hole Cover 660 X 360		
DWG NO: DRSTI-PC-28	MATERIAL: Concrete	PRODUCT CODE: MH005
DRSTI PRECAST PRIVATE LTD		A4
SCALE:1:1	SHEET 1 OF 1	