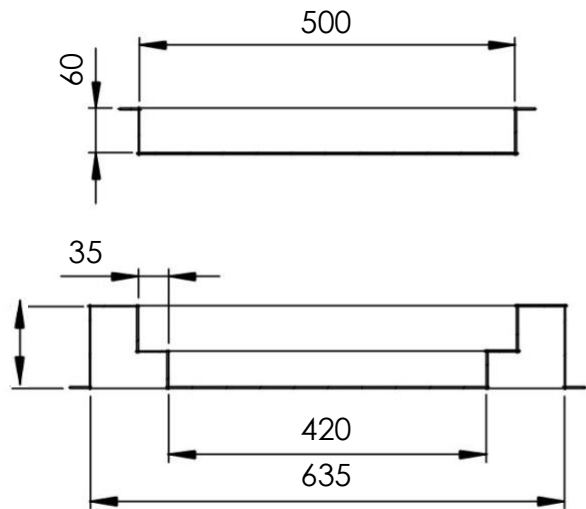
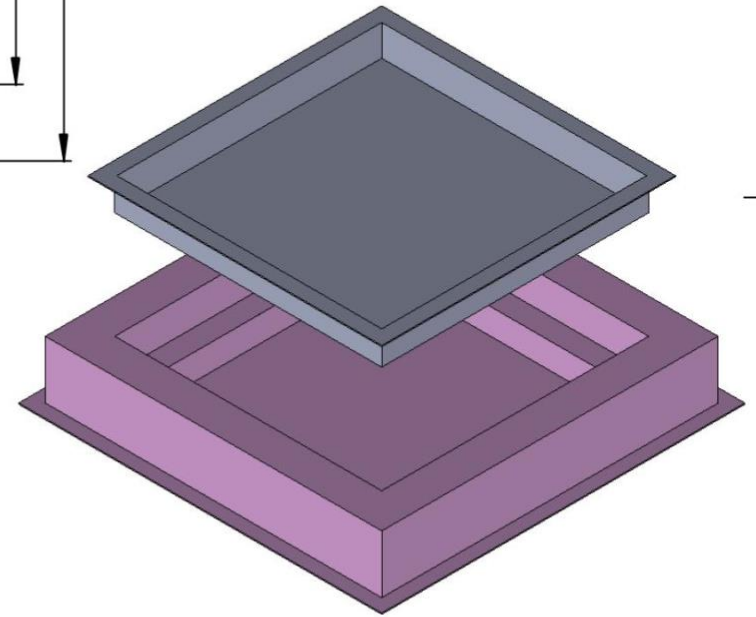


SECTION B-B



SECTION A-A



DESCRIPTION:

Man Hole Cover 420 X 420

DWG NO:
DRSTI-PC-29

MATERIAL:
Concrete

PRODUCT CODE:
MH006

DRSTI PRECAST PRIVATE LTD

A4