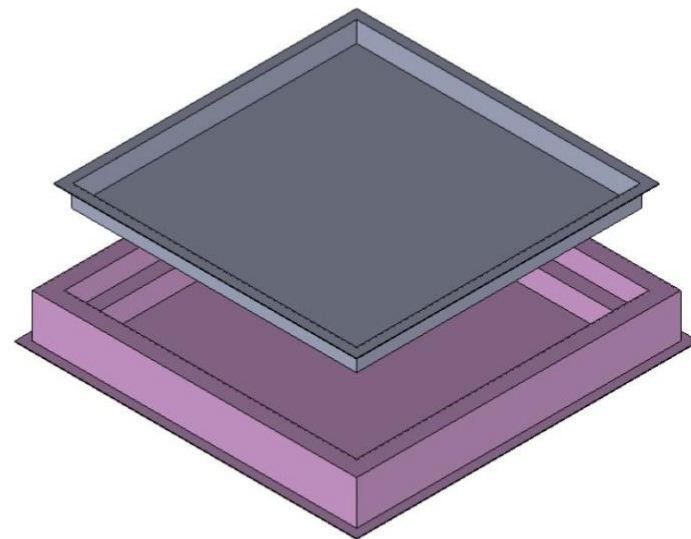


SECTION A-A



940  
B

DESCRIPTION:  
**Man Hole Cover 740 X 740**

DWG NO: DRSTI-PC-30	MATERIAL: Concrete	PRODUCT CODE: MH007
------------------------	-----------------------	------------------------

**DRSTI PRECAST PRIVATE LTD** A4

SCALE:1:1

SHEET 1 OF 1